

PAVEMENT BREAKER 90 lb class SPB-90

Sullivan
Palatek

*Dedicated to Quality....
...Committed to Support*

Designed for heavy demolition jobs, rock, reinforced concrete, and 5 or 6 plus inch thick concrete and pavement.

- 4 bolt backhead
- Heavy duty side rod bolts and springs
- Forged alloy construction
- Removable front head
- Replaceable chuck bushing
- Internal oiler
- Optional muffler
- One year warranty
- Manufactured in USA



Specifications		
Net weight	92.5 lbs	42 kg
Length	28.75 in	730 mm
Bore	2.625 in	66.67 mm
Stroke	6.0625 in	154 mm
Blows per minute	1250	1250
Chuck sizes	1 1/4 x 6 in	32 x 154 mm
	1 1/8 x 6 in	28 x 154 mm
Air inlet (NPT)	3/4 in	19 mm
Air consumption*	75 cfm	2.1 m ³ /m
*estimated		

FOR OPTIMUM PERFORMANCE, DO NOT OPERATE TOOL ABOVE 90 PSI (6 BAR) WORKING PRESSURE.

WARNING:
ALWAYS DISCONNECT THE AIR SUPPLY BEFORE CHANGING CHISELS OR DISMANTLING THE TOOL FOR SERVICE OR REPAIR. FOR MAXIMUM SAFETY WE ADVISE THE INSTALLATION OF A SHUT-OFF VALVE AT THE END OF THE AIR LINE.

DO NOT EXCEED 100 PSI (7BAR) WORKING PRESSURE.

Sullivan
Palatek

1201 West US Highway 20
Michigan City, IN 46360

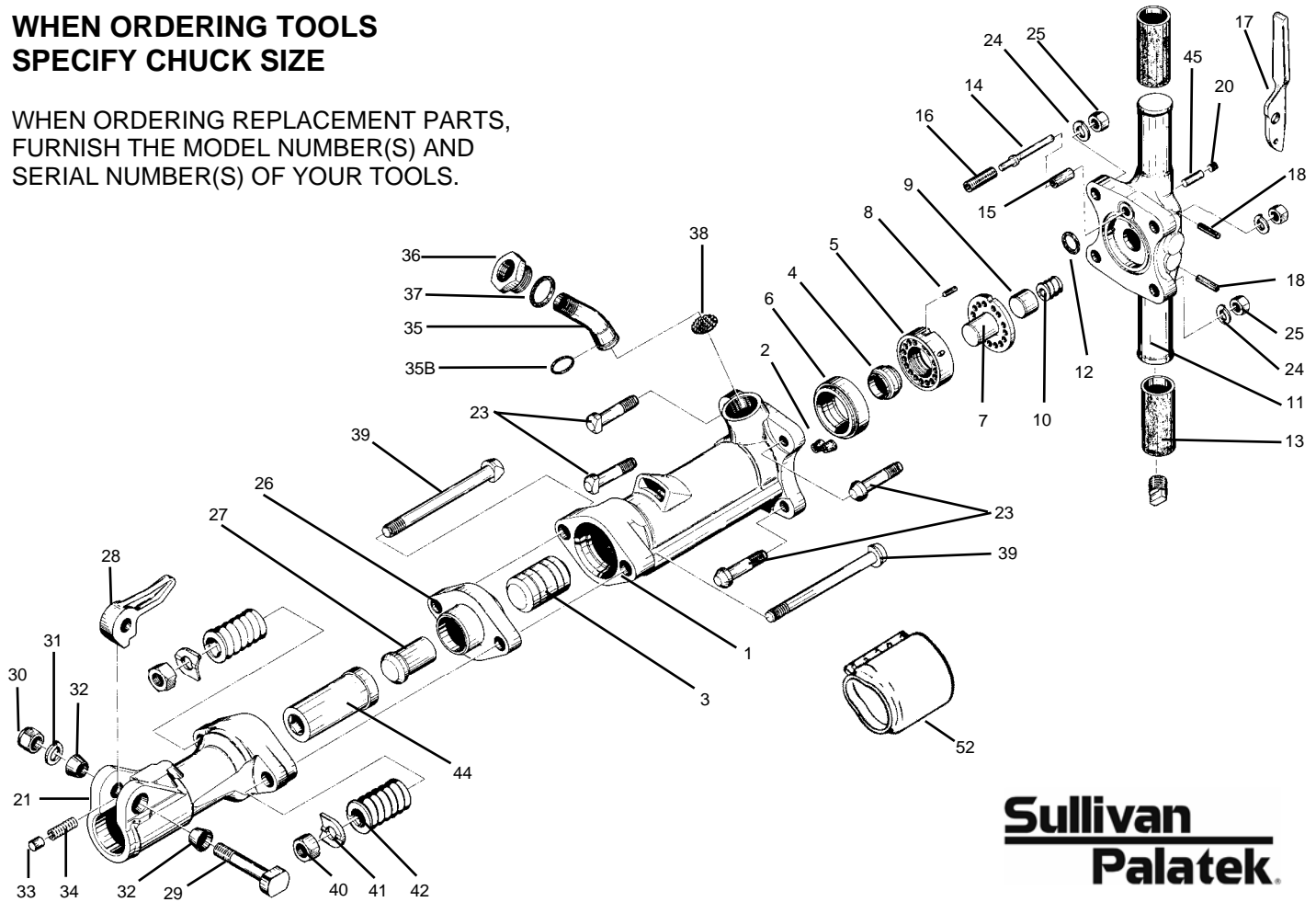
Ph: 800-438-6203
Fx: 800-725-6203

info@sullivanind.com
www.sullivanpalatek.com

PARTS LIST PAVEMENT BREAKER 90 lb class SPB-90

WHEN ORDERING TOOLS SPECIFY CHUCK SIZE

WHEN ORDERING REPLACEMENT PARTS,
FURNISH THE MODEL NUMBER(S) AND
SERIAL NUMBER(S) OF YOUR TOOLS.



Sullivan
Palatek

INDEX	PART	DESCRIPTION	INDEX	PART	DESCRIPTION
1	SI6001	CYLINDER	26	SI6026	TAPPET SEAT
2	SI6602	CYLINDER PLUGS (2)	27	SI6027	TAPPET
3	SI6003	PISTON	28	SI6628	STEEL REAINER (FORGED)
4	SI6604	AUTOMATIC VALVE	29	SI6629	STEEL RETAINER BOLT
5	SI6005	VALVE CHEST	30	SI6630	STEEL RETAINER BOLT NUT
6	SI6006	VALVE SEAT	31	SI6631	STEEL RETAINER LOCKWASHER
7	SI6007	VALVE GUIDE	32	SI6632	RETAINER BOLT BUSHING(RUBBER)(2)
8	SI6608	VALVE DOWEL PIN	NS	SI6651	RETAINER BOLT BUSHING(STEEL)(2)
9	SI6609	BACKHEAD PLUNGER	33	SI6633	STEEL RETAINER PLUNGER
10	SI6610	BACKHEAD PLUNGER SPRING	34	SI6634	RETAINER PLUNGER SPRING
11	SI6011	BACKHEAD BARE (incl.#6615)	35	SI6035	AIR INLET SWIVEL
NS	SI6011C	BACKHEAD ASSBLY. COMPLETE	35B	SI6035B	AIR INLET SWIVEL O-RING
12	SI6012	BACKHEAD O-RING	36	SI6036	AIR INLET SWIVEL NUT
13	SI6613	RUBBER GRIP (2)	37	SI6037	SWIVEL NUT O-RING
14	SI6614	THROTTLE VALVE	38	SI6038	AIR INLET SCREEN
14B	SI6614B	THROTTLE VALVE O-RING	39	SI6039	FRONTHEAD BOLT (2)
15	SI6615	THROTTLE VALVE SLEEVE	40	SI6640	FRONTHEAD BOLT NUT(2)
16	SI6616	THROTTLE VALVE SPRING	41	SI6641	FRONTHEAD BOLT LOCKWASHER (2)
17	SI6617	THROTTLE LEVER	42	SI6642	FRONTHEAD BOLT SPRING(2)
NS	SI6617S	SAFETY LEVER COMPLETE (OPT.)	44	SI6644A	FRONTHEAD BUSHING 1-1/8"HEX
18	SI6618	THROTTLE LEVER PIN (2)	44	SI6644B	FRONTHEAD BUSHING 1-1/4"HEX
19	SI6768	OIL RESERVOIR PLUG	45	SI6645	OIL CONTROL FELT
20	SI6620	OIL CONTROL FELT PLUG	NS	SI6046	FRONTHEAD w/1-1/8" HEX BUSHING
21	SI6021	FRONTHEAD BARE	NS	SI6047	FRONTHEAD w/1-1/4" HEX BUSHING
23	SI6023	BACKHEAD BOLT (4)	NS	SI6048	FRONTHEAD ASSBLY. w/1-1/8" HEX
24	SI6624	BACKHEAD BOLT LOCKWASHER (4)	NS	SI6049	FRONTHEAD ASSBLY.w/1-1/4" HEX
25	SI6625	BACKHEAD BOLT NUT (4)	52	SI6052	MUFFLER ASSBLY.(OPTIONAL)