

Sullivan Palatek®

Dedicated to Quality....

....Committed to Support

Designed for light demolition jobs, digging clay and hardpan, and can be used horizontally with D handle and internal trigger.

- 4 bolt backhead
- Forged alloy construction
- One piece cylinder
- Removable front head with latch
- Replaceable chuck bushing
- Internal oiler
- Optional muffler
- One year warranty
- Manufactured in USA



Specifications		
Net weight	30 lbs	14 kg
Length	23 in	584 mm
Bore	1.75 in	44 mm
Stroke	3.375 in	86 mm
Blows per minute	1550	1550
Chuck size	1 x 4 1/4 in	25 x 108 mm
	7/8 x 3 1/4 in	22 x 83 mm
Air inlet (NPT)	3/8 in	10 mm
Air consumption	49 cfm	1.40 m³/m
*estimated		

FOR OPTIMUM PERFORMANCE, DO NOT OPERATE TOOL ABOVE 90 PSI (6 BAR) WORKING PRESSURE.

WARNING:

ALWAYS DISCONNECT THE AIR SUPPLY BEFORE CHANGING CHISELS OR DISMANTLING THE TOOL FOR SERVICE OR REPAIR. FOR MAXIMUM SAFETY WE ADVISE THE INSTALLATION OF A SHUT-OFF VALVE AT THE END OF THE AIR LINE.

DO NOT EXCEED 100 PSI (7BAR) WORKING PRESSURE.

Sullivan Palatek®

1201 West US Highway 20
Michigan City, IN 46360

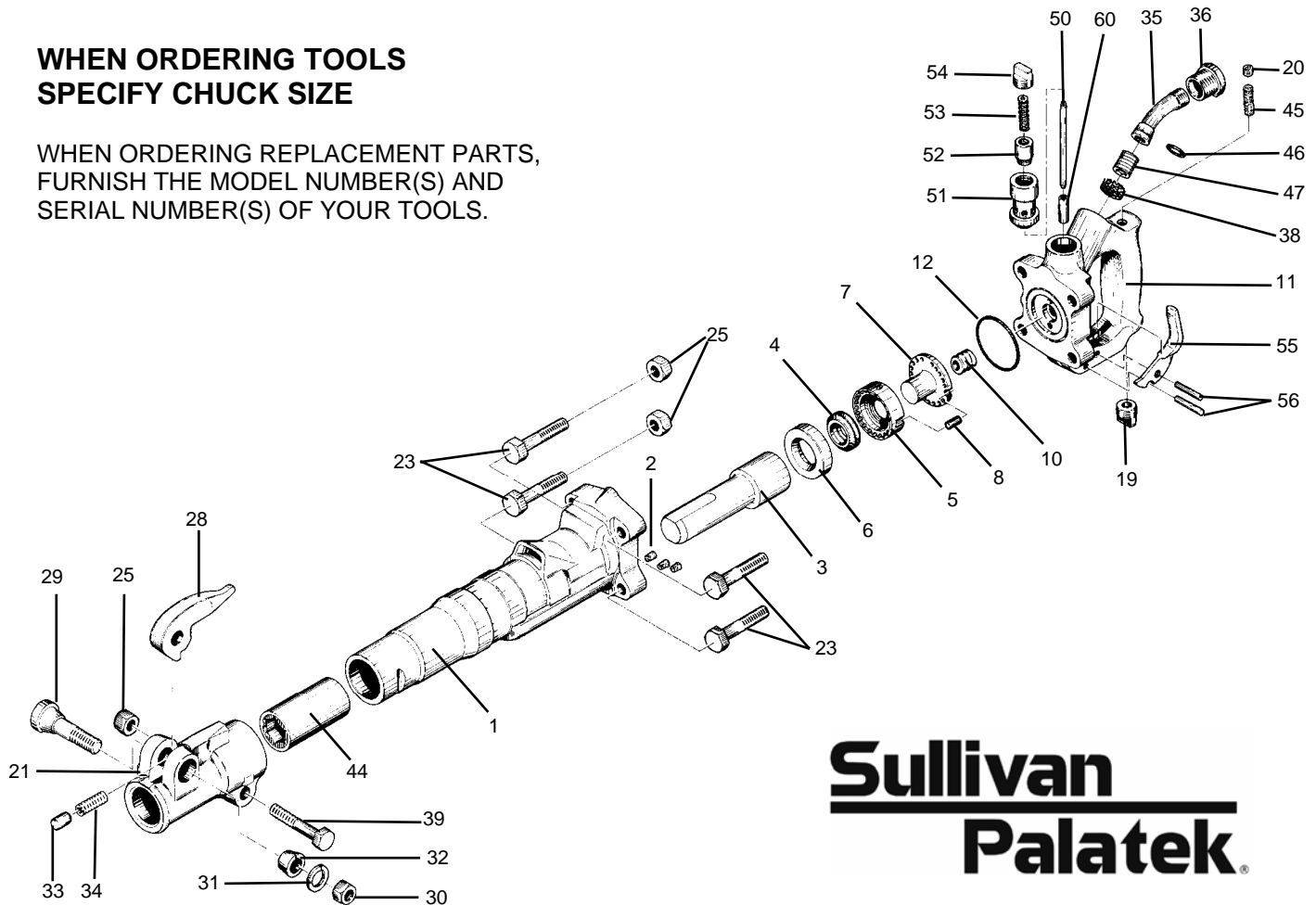
Ph: 800-438-6203
Fx: 800-725-6203

info@sullivanind.com
www.sullivanpalatek.com

PARTS LIST CLAY DIGGER 30 lb class SCD-30

WHEN ORDERING TOOLS SPECIFY CHUCK SIZE

WHEN ORDERING REPLACEMENT PARTS,
FURNISH THE MODEL NUMBER(S) AND
SERIAL NUMBER(S) OF YOUR TOOLS.



Sullivan
Palatek

INDEX	PART	DESCRIPTION	INDEX	PART	DESCRIPTION
1	SI6301	CYLINDER	31	SI6331	RETAINER BOLT LOCK WASHER
2	SI6302	CYLINDER PLUGS (3)(OPT.)	32	SI6332	RETAINER BOLT BUSHING
3	SI6303	PISTON	33	SI6333	RETAINER PLUNGER
4	SI6304	AUTOMATIC VALVE	34	SI6334	PLUNGER SPRING
5	SI6305	VALVE CHEST	35	SI6335	AIR INLET SWIVEL
6	SI6306	VALVE SEAT	36	SI6336	AIR INLET SWIVEL NUT
7	SI6307	VALVE GUIDE	38	SI6338	AIR INLET SCREEN
8	SI6308	VALVE DOWEL	39	SI6339	FRONTHEAD BOLT
10	SI6310	BACKHEAD SPRING	44	SI6344A	CHUCK BUSHING 1 x 4 1/4
11	SI6311D	BACKHEAD (INCL.#6360 & 6351)	SI6344B	CHUCK BUSHING 7/8 x 3 1/4	
NS	SI6311DC	BACKHEAD COMPLETE	45	SI6645	OIL CONTROL FELT
12	SI6312D	BACKHEAD O-RING (OPT.)	46	SI6346	INLET SWIVEL O-RING
19	SI6319	OIL PLUG	47	SI6347	INLET SWIVEL SPRING
20	SI6620	OIL CONTROL PLUG	50	SI6350	THROTTLE VALVE PUSH PIN
21	SI6321	FRONTHEAD BARE	51	SI6351	THROTTLE VALVE BUSHING
NS	SI6321C	FRONTHEAD COMPLETE	52	SI6352	THROTTLE VALVE
23	SI6323	BACKHEAD BOLT (4)	53	SI6353	THROTTLE VALVE SPRING
24	SI6324	BOLT WASHER (5) (OPT.)	54	SI6354	THROTTLE VALVE CAP
25	SI6325	BOLT NUT (5)	55	SI6355	THROTTLE LEVER
28	SI6328	STEEL RETAINER	56	SI6356	THROTTLE LEVER PIN
29	SI6329	RETAINER BOLT	60	SI6360	PUSH PIN BUSHING
30	SI6330	RETAINER BOLT NUT	NS	6362	MUFFLER ASSEMBLY COMPLETE